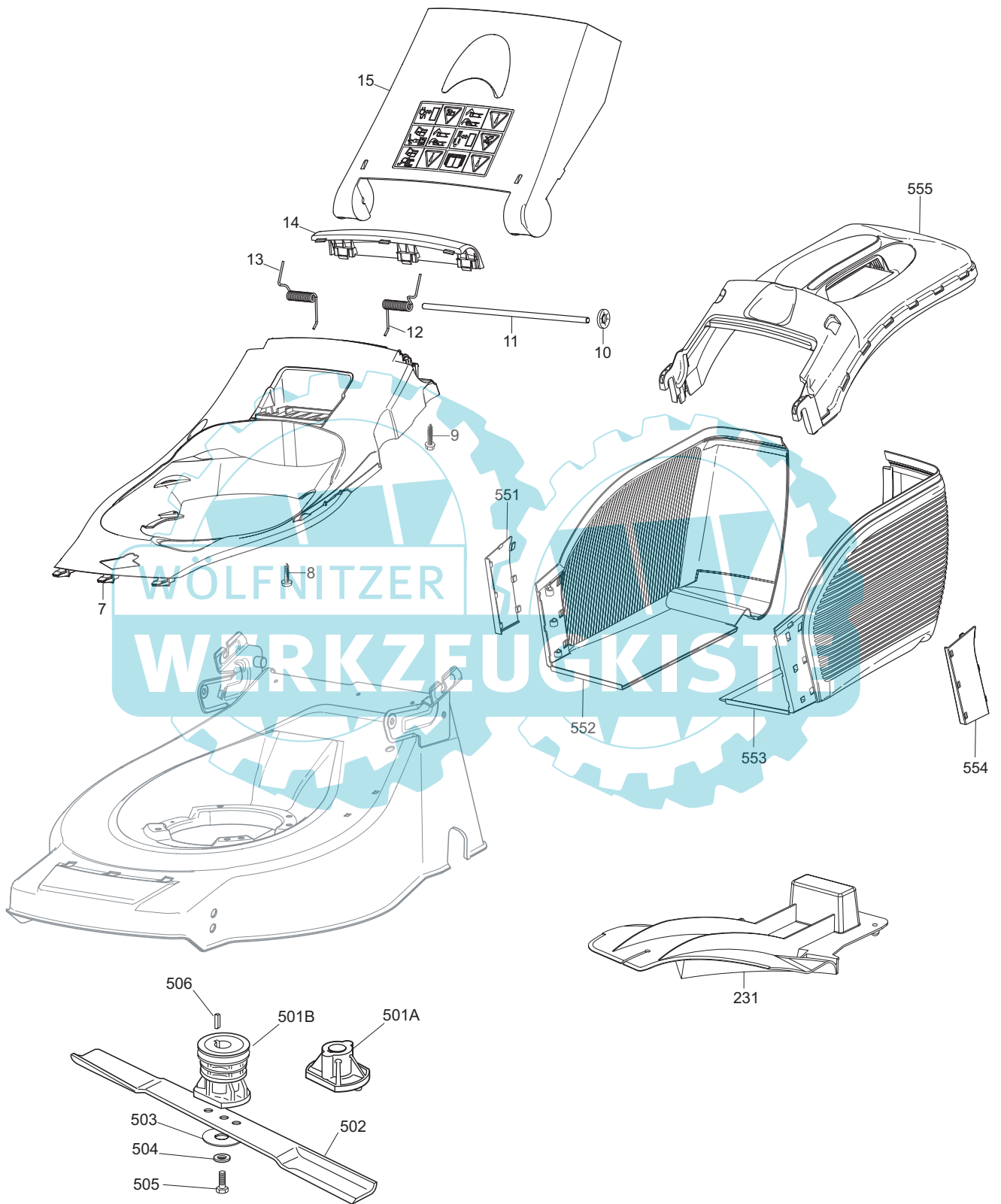


| Ausgabe<br>Issue |                 | Bild Nr<br>Picture No |  | VARIOLUX 53 BC H-<br>53 BCA H<br>CHASSIS<br>HOLM |                         | VARIOLUX 53 BC H-<br>53 BCA H<br>CHASSIS<br>HANDLE |             | Seite<br>Page      |  |
|------------------|-----------------|-----------------------|--|--|-------------------------|--|-------------|--------------------|--|
| 2008- 52         |                 | B109                  |  |  |                         |  |             | 44                 |  |
| Pos.<br>Fig.     | Anzahl/Quantity |                       |  | Artikel Nr.<br>Part No                           | Bezeichnung             | Description  | Satz<br>Kit | Anmerkung<br>Notes |  |
|                  | 53<br>BC<br>-H  | 53<br>BCA<br>-H       |  |  |                         |  |             |                    |  |
| 1                | 1               | 1                     |  | 81002707/0                                       | Chassie.....            | Chassis .....                                      |             |                    |  |
| 2                | 3               | 3                     |  | 12728530/0                                       | Schraube .....          | Screw .....  |             |                    |  |
| 3                | 1               | 1                     |  | 22060197/0                                       | Riemenschutz.....       | Belt protection.....                               |             |                    |  |
| 4                |                 | 4                     |  | 12731350/0                                       | Schraube .....          | Screw .....  |             |                    |  |
| 5                |                 | 2                     |  | 22545152/0                                       | Platte .....            | Plate .....  |             |                    |  |
| 6                | 1               | 1                     |  | 22291150/0                                       | Gummieinsatz.....       | Rubber insert .....                                |             |                    |  |
| 16               | 2               | 2                     |  | 18566110/0                                       | Propfen.....            | Cap.....   |             |                    |  |
| 17               | 1               | 1                     |  | 81006649/0                                       | Holm- Unterteil .....   | Handle- lower .....                                |             |                    |  |
| 18               | 1               | 1                     |  | 81006659/0                                       | Holmrohr .....          | Handle tube .....                                  |             |                    |  |
| 19               | 1               | 1                     |  | 81006655/0                                       | Holm- Oberteil .....    | Handle- upper.....                                 |             |                    |  |
| 20               | 1               | 1                     |  | 122291058/1                                      | Handgriff .....         | Handgrip .....                                     |             |                    |  |
| 21               | 2               | 2                     |  | 22524334/0                                       | Bolzen.....             | Pin .....  |             |                    |  |
| 22               | 2               | 2                     |  | 12604899/0                                       | Schloßscheibe .....     | Lock washer.....                                   |             |                    |  |
| 23               | 4               | 4                     |  | 81003250/0                                       | Sperrhebel .....        | Handle block lever.....                            |             |                    |  |
| 24               | 4               | 4                     |  | 22680011/0                                       | Scheibe.....            | Washer.....  |             |                    |  |
| 25               | 4               | 4                     |  | 25670011/0                                       | Scheibe.....            | Washer.....  |             |                    |  |
| 26               | 4               | 4                     |  | 22399816/0                                       | Schloßrad .....         | Locking knob .....                                 |             |                    |  |
| 27               | 4               | 4                     |  | 12293200/0                                       | Mutter.....             | Nut .....  |             |                    |  |
| 28               | 2               | 2                     |  | 22820067/1                                       | Propfen.....            | Cap.....   |             |                    |  |
| 29               | 2               | 2                     |  | 22245061/0                                       | Ringmutter- innere..... | Ring nut- internal .....                           |             |                    |  |
| 30               | 2               | 2                     |  | 22245060/0                                       | Ringmutter- äußere..... | Ring nut- external .....                           |             |                    |  |
| 31               | 3               | 3                     |  | 12728701/0                                       | Schraube .....          | Screw .....  |             |                    |  |
| 32               | 1               | 1                     |  | 22393613/0                                       | Holmdeckel- untere..... | Handle cover-lower .....                           |             |                    |  |
| 33               | 1               | 1                     |  | 22393612/0                                       | Holmdeckel- obere.....  | Handle cover-upper .....                           |             |                    |  |
| 34               | 1               | 1                     |  | 81006651/0                                       | Holmrohr- R.....        | Handle tube- RH.....                               |             |                    |  |
| 35               | 2               | 2                     |  | 12691100/0                                       | Schraube .....          | Screw .....  |             |                    |  |
| 36               | 2               | 2                     |  | 12293201/0                                       | Mutter.....             | Nut .....  |             |                    |  |
| 37               | 1               | 1                     |  | 12691100/0                                       | Schraube .....          | Screw .....  |             |                    |  |
| 38               | 1               | 1                     |  | 12521350/0                                       | Scheibe.....            | Washer.....  |             |                    |  |
| 39               | 1               | 1                     |  | 12155000/0                                       | Mutter.....             | Nut .....  |             |                    |  |
| 40               | 1               | 1                     |  | 22430315/1                                       | Seilführer .....        | Rope guide.....                                    |             |                    |  |
| 41               | 1               | 1                     |  | 81000713/0                                       | Motorbremsdraht .....   | Engine brake cable .....                           |             |                    |  |
| 42               | 1               | 1                     |  | 22430309/0                                       | Seilführer .....        | Rope guide.....                                    |             |                    |  |
| 43               | 1               | 1                     |  | 12154330/0                                       | Mutter.....             | Nut .....  |             |                    |  |
| 44               | 1               | 1                     |  | 81007160/0                                       | Gasdraht.....           | Throttle cable .....                               |             |                    |  |
| 45               | 1               | 1                     |  | 12521340/0                                       | Scheibe.....            | Washer.....  |             |                    |  |
| 46               | 1               | 1                     |  | 12728640/0                                       | Schraube .....          | Screw .....  |             |                    |  |
| 47               | 1               | 1                     |  | 22820068/0                                       | Deckel.....             | Cap.....   |             |                    |  |
| 51               | 6               | 6                     |  | 12728701/0                                       | Schraube .....          | Screw .....  |             |                    |  |
| 52               | 1               | 1                     |  | 22283004/0                                       | Schutz .....            | Protection .....                                   |             |                    |  |
| 53               | 1               | 1                     |  | 22785190/0                                       | Stütz .....             | Support.....                                       |             |                    |  |
| 54               | 1               | 2                     |  | 22785191/0                                       | Stütz .....             | Support.....                                       |             |                    |  |
| 55               | 2               | 4                     |  | 12728687/0                                       | Schraube .....          | Screw .....  |             |                    |  |
| 56               | 1               | 1                     |  | 22321707/0                                       | Regulierhebel.....      | Control lever .....                                |             |                    |  |
| 57               | 1               | 1                     |  | 22283006/0                                       | Schutz .....            | Protection .....                                   |             |                    |  |
| 58               | 2               | 2                     |  | 22109538/0                                       | Deckel.....             | Cap.....   |             |                    |  |
| 59               | 1               | 1                     |  | 22557153/0                                       | Deckel.....             | Plate .....  |             |                    |  |
| 60               | 1               | 1                     |  | 22321709/0                                       | Regulierbügel .....     | Control lever .....                                |             |                    |  |
| 62               | 1               | 1                     |  | 81007288/0                                       | Gashebel.....           | Throttle lever.....                                |             |                    |  |
| 63               | 1               | 1                     |  | 22785189/0                                       | Stütz .....             | Support.....                                       |             |                    |  |
| 64               | 1               | 1                     |  | 12791500/0                                       | Schraube .....          | Screw .....  |             |                    |  |
| 65               | 1               | 1                     |  | 12530060/0                                       | Scheibe.....            | Washer.....  |             |                    |  |
| 66               | 2               | 2                     |  | 12523040/0                                       | Scheibe.....            | Washer.....  |             |                    |  |
| 67               | 1               | 1                     |  | 12154510/0                                       | Mutter.....             | Nut .....  |             |                    |  |
| 103              | 1               | 1                     |  | 22283007/0                                       | Schutz .....            | Protection .....                                   |             |                    |  |
| 104              | 1               | 1                     |  | 22283005/0                                       | Schutz .....            | Protection .....                                   |             |                    |  |
| 105              | 2               | 2                     |  | 22109538/0                                       | Deckel.....             | Cap.....   |             |                    |  |
| 106              | 4               | 4                     |  | 12728701/0                                       | Schraube .....          | Screw .....  |             |                    |  |
| 111              | 1               | 1                     |  | 81008667/0                                       | Schraubensatz .....     | Screw set .....                                    |             |                    |  |

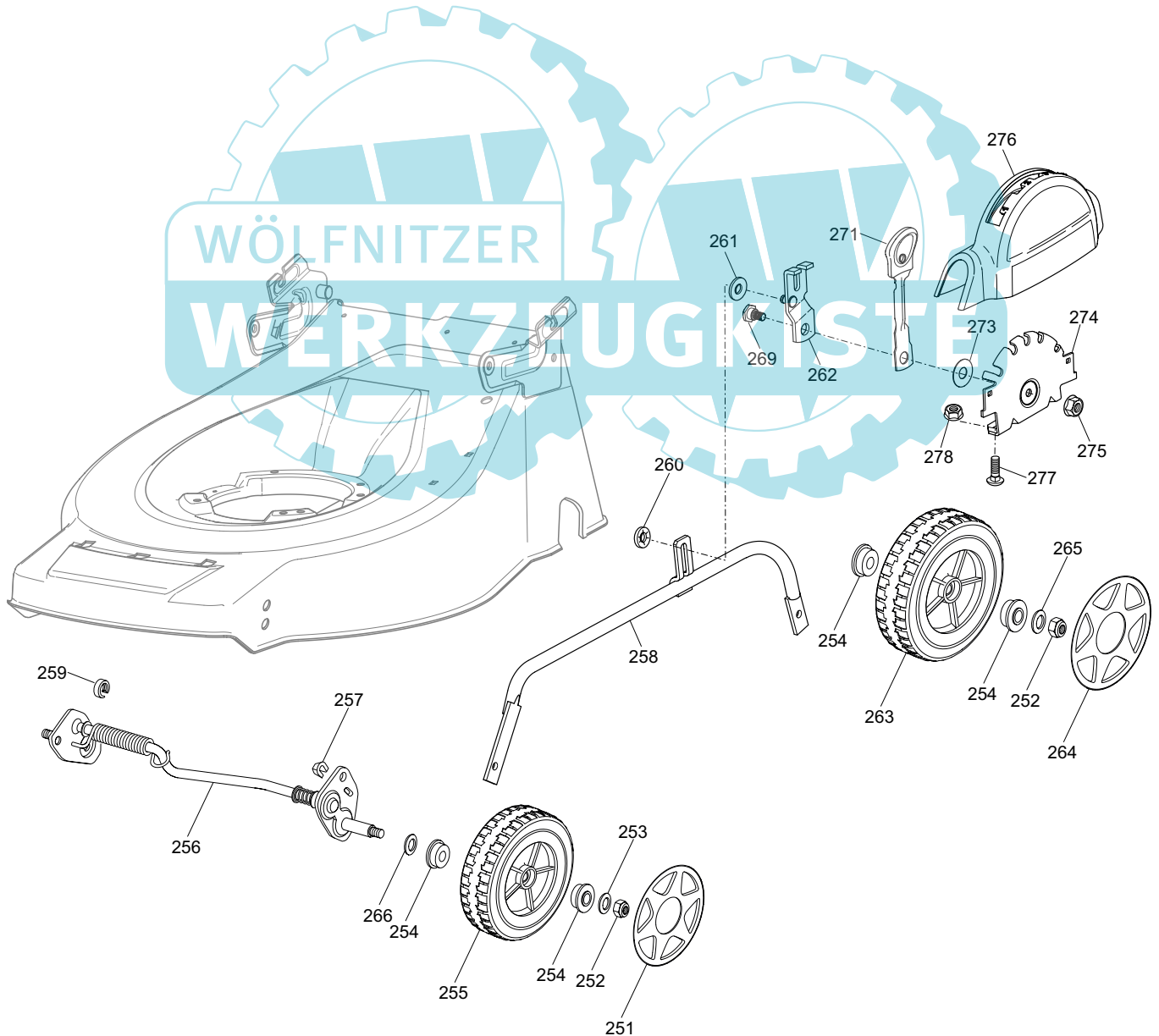
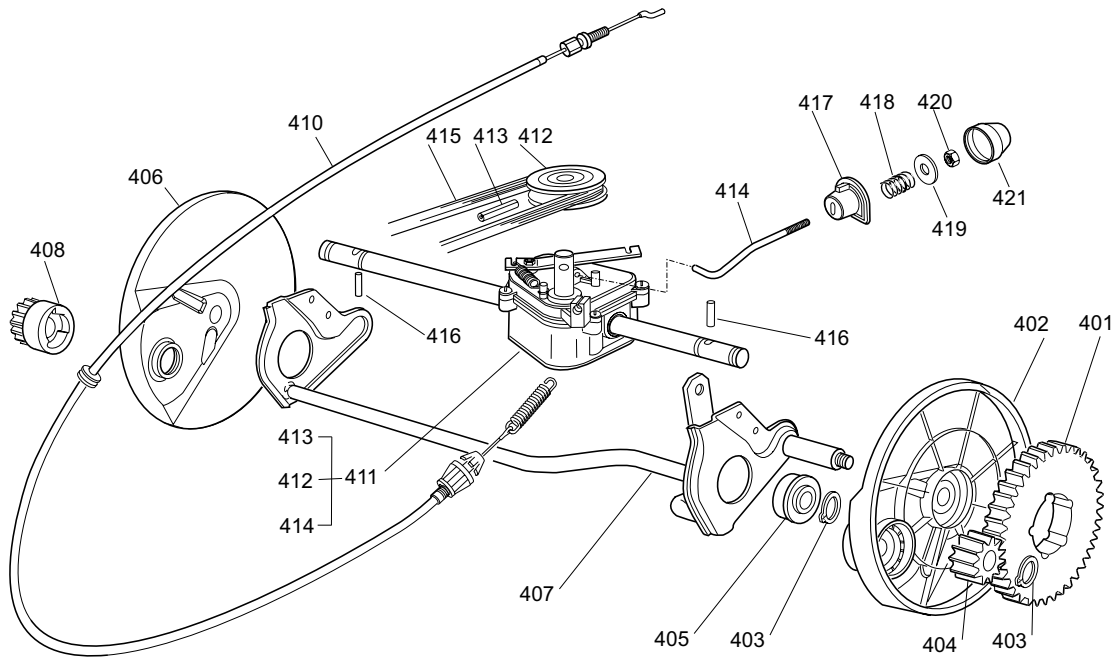


B106A



| Ausgabe<br>Issue |                 | Bild Nr<br>Picture No |  | VARIOLUX 53 BC H-<br>53 BCA H<br>MESSER<br>GRASKORB |                           | VARIOLUX 53 BC H-<br>53 BCA H<br>BLADE<br>GRASSBOX |             | Seite<br>Page                                  |  |
|------------------|-----------------|-----------------------|--|---|---------------------------|--|-------------|--|--|
| 2008-52          |                 | B106A                 |  |   |                           |  |             | 46   |  |
| Pos.<br>Fig.     | Anzahl/Quantity |                       |  | Artikel Nr.<br>Part No                              | Bezeichnung               | Description  | Satz<br>Kit | Anmerkung<br>Notes                             |  |
|                  | 53<br>BC<br>-H  | 53<br>BCA<br>-H       |  |   |                           |  |             |  |  |
| 7                | 1               | 1                     |  | 22109717/0  | Haube .....               | Cover .....  |             |  |  |
| 8                | 2               | 2                     |  | 12728688/0  | Schraube .....            | Screw .....  |             |  |  |
| 9                | 3               | 3                     |  | 12731600/1  | Schraube .....            | Screw .....  |             |  |  |
| 10               | 2               | 2                     |  | 12604899/0  | Schloßscheibe .....       | Lock washer .....                                  |             |  |  |
| 11               | 1               | 1                     |  | 22517859/0  | Stange .....              | Rod .....  |             |  |  |
| 12               | 1               | 1                     |  | 22450421/0  | Feder- L .....            | Spring- LH .....                                   |             |  |  |
| 13               | 1               | 1                     |  | 22450422/0  | Feder- R .....            | Spring- RH .....                                   |             |  |  |
| 14               | 1               | 1                     |  | 22109719/0  | Halter .....              | Support .....                                      |             |  |  |
| 15               | 1               | 1                     |  | 22600133/0  | Prallblech .....          | Stone guard .....                                  |             |  |  |
| 231              | 1               | 1                     |  | 22140222/0  | Mulch Deflektor .....     | Mulchplug .....                                    |             |  |  |
| X<br>501 A       | 1               |                       |  | 122463020/1   | Nabe .....                | Hub .....  |             | Für Motorwelle Ø25 mm<br>Für Motorwelle Ø25 mm |  |
| X<br>501 B       |                 | 1                     |  | 122465608/1   | Nabe .....                | Hub .....  |             |  |  |
| 502              | 1               | 1                     |  | 1111-9726-01  | Messer .....              | Blade .....  |             |  |  |
| 503              | 1               | 1                     |  | 22160400/0  | Scheibe .....             | Elastic washer .....                               |             |  |  |
| 504              | 1               | 1                     |  | 12523080/0  | Scheibe .....             | Washer .....                                       |             |  |  |
| 505              | 1               | 1                     |  | 12735698/0  | Schraube .....            | Screw .....  |             |  |  |
| X<br>506         | 1               | 1                     |  | 12139150/0  | Keil .....                | Key .....  |             |  |  |
| 551              | 1               | 1                     |  | 22486156/0  | Profil- R .....           | Profile- RH .....                                  |             |  |  |
| 552              | 1               | 1                     |  | 22486154/0  | Graskorb- untere, R ..... | Grass box- lower, RH .....                         |             |  |  |
| 553              | 1               | 1                     |  | 22486155/0  | Graskorb- untere, L ..... | Grass box- lower, LH .....                         |             |  |  |
| 554              | 1               | 1                     |  | 22486157/0  | Profil- L .....           | Profile- LH .....                                  |             |  |  |
| 555              | 1               | 1                     |  | 22486153/0  | Graskorb- Oberteil .....  | Grass box- upper .....                             |             |  |  |







| Ausgabe<br>Issue<br>2008- 52 |                 | Bild Nr<br>Picture No<br>B103 |  | VARIOLUX 53 BCA H<br>GETRIEBE<br>RADAUFHÄNGUNG |                           | VARIOLUX 53 BCA H<br>TRANSMISSION<br>WHEEL SUSPENSION |             | Seite<br>Page<br>50 |                    |
|------------------------------|-----------------|-------------------------------|--|--|---------------------------|---|-------------|---------------------|--------------------|
| Pos.<br>Fig.                 | Anzahl/Quantity |                               |  |  | Artikel Nr.<br>Part No    | Bezeichnung   | Description | Satz<br>Kit         | Anmerkung<br>Notes |
|                              | 53<br>BCA<br>-H |                               |  |  |                           |   |             |                     |                    |
| 251                          | 2               |                               |  | 22110409/0                                     | Radkappe.....             | Hub cap.....  |             |                     |                    |
| 252                          | 4               |                               |  | 12155000/0                                     | Mutter.....               | Nut.....  |             |                     |                    |
| 253                          | 2               |                               |  | 12521350/0                                     | Scheibe.....              | Washer.....   |             |                     |                    |
| 254                          | 8               |                               |  | 22122200/0                                     | Kugellager .....          | Ball bearing .....                                    |             |                     |                    |
| 255                          | 2               |                               |  | 81007351/0                                     | Rad.....                  | Wheel.....  |             |                     |                    |
| 256                          | 1               |                               |  | 81000143/1                                     | Radachse- vorne.....      | Wheel axle- front.....                                |             |                     |                    |
| 257                          | 2               |                               |  | 12436050/0                                     | Platte .....              | Plate.....  |             |                     |                    |
| 258                          | 1               |                               |  | 81006489/0                                     | Höhenverstellstange ..... | Height adjust rod .....                               |             |                     |                    |
| 259                          | 1               |                               |  | 22171002/0                                     | Distanz.....              | Spacer.....   |             |                     |                    |
| 260                          | 1               |                               |  | 12604896/0                                     | Schloßscheibe .....       | Lock washer.....                                      |             |                     |                    |
| 261                          | 1               |                               |  | 12369500/0                                     | Scheibe.....              | Washer.....   |             |                     |                    |
| 262                          | 1               |                               |  | 81005121/0                                     | Halter.....               | Attachment.....                                       |             |                     |                    |
| 263                          | 2               |                               |  | 81007343/0                                     | Rad.....                  | Wheel.....  |             |                     |                    |
| 264                          | 2               |                               |  | 22110410/0                                     | Radkappe.....             | Hub cap.....  |             |                     |                    |
| 265                          | 2               |                               |  | 12369500/0                                     | Scheibe.....              | Washer.....   |             |                     |                    |
| 266                          | 2               |                               |  | 12530150/0                                     | Scheibe.....              | Washer.....   |             |                     |                    |
| 269                          | 1               |                               |  | 22524333/0                                     | Bolzen.....               | Bolt.....   |             |                     |                    |
| 271                          | 1               |                               |  | 81003321/0                                     | Höhenverstellhebel .....  | Height adjust lever.....                              |             |                     |                    |
| 273                          | 1               |                               |  | 22672152/0                                     | Scheibe.....              | Washer.....   |             |                     |                    |
| 274                          | 1               |                               |  | 22735571/1                                     | Höhenverstellsektor ..... | Height adjust sector .....                            |             |                     |                    |
| 275                          | 1               |                               |  | 12154210/0                                     | Mutter.....               | Nut.....  |             |                     |                    |
| 276                          | 1               |                               |  | 22109714/0                                     | Deckel.....               | Cover.....  |             |                     |                    |
| 277                          | 2               |                               |  | 12815200/0                                     | Schraube .....            | Screw.....  |             |                     |                    |
| 278                          | 2               |                               |  | 12292102/0                                     | Mutter.....               | Nut.....  |             |                     |                    |
| 401                          | 2               |                               |  | 22120105/1                                     | Kranz.....                | Ring gear.....  |             |                     |                    |
| 402                          | 1               |                               |  | 22600093/0                                     | Radschutz.....            | Wheel cover.....                                      |             |                     |                    |
| 403                          | 4               |                               |  | 12608600/0                                     | Seegerring .....          | Seegerring.....                                       |             |                     |                    |
| 404                          | 1               |                               |  | 22570120/1                                     | Ritzel- links.....        | Pinion- LH.....                                       |             |                     |                    |
| 405                          | 2               |                               |  | 19216035/0                                     | Lager.....                | Bearing.....  |             |                     |                    |
| 406                          | 1               |                               |  | 22600092/0                                     | Radschutz.....            | Wheel cover.....                                      |             |                     |                    |
| 407                          | 1               |                               |  | 81000147/0                                     | Hinterradachse .....      | Rear axle.....  |             |                     |                    |
| 408                          | 1               |                               |  | 22570110/1                                     | Ritzel- rechts.....       | Pinion- RH.....                                       |             |                     |                    |
| 410                          | 1               |                               |  | 81000710/0                                     | Kupplungsdraht.....       | Clutch cable.....                                     |             |                     |                    |
| 411                          | 1               |                               |  | 81003076/0                                     | Getriebe (schw).....      | Transmission (black).....                             |             | Inkl. 412 - 414     |                    |
| 412                          | 1               |                               |  | 22601904/0                                     | • Riemenscheibe .....     | • Belt pulley.....                                    |             |                     |                    |
| 413                          | 1               |                               |  | 12645705/0                                     | • Stift.....              | • Pin.....  |             |                     |                    |
| 414                          | 1               |                               |  | 22033283/0                                     | • Verstellstange .....    | • Adjustment rod.....                                 |             |                     |                    |
| 415                          | 1               |                               |  | 1111- 9746- 01                                 | Riemen.....               | Belt.....   |             |                     |                    |
| 416                          | 2               |                               |  | 22753000/0                                     | Stift.....                | Pin.....  |             |                     |                    |
| 417                          | 1               |                               |  | 22041957/1                                     | Bush.....                 | Bush.....   |             |                     |                    |
| 418                          | 1               |                               |  | 22450063/0                                     | Feder .....               | Spring.....   |             |                     |                    |
| 419                          | 1               |                               |  | 22680009/0                                     | Scheibe.....              | Washer.....   |             |                     |                    |
| 420                          | 1               |                               |  | 12154510/0                                     | Mutter.....               | Nut.....  |             |                     |                    |
| 421                          | 1               |                               |  | 22110230/0                                     | Kappe .....               | Cap.....  |             |                     |                    |